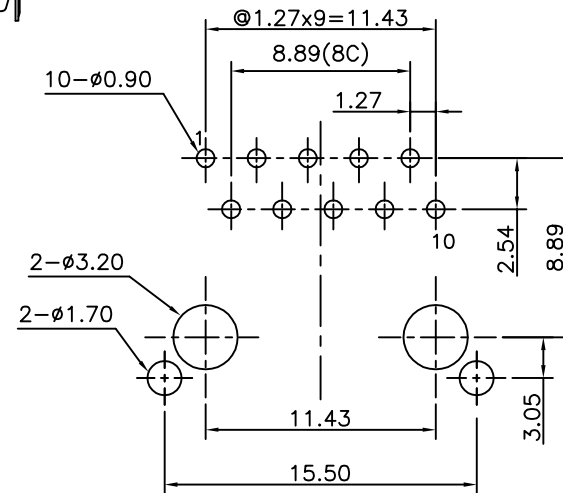
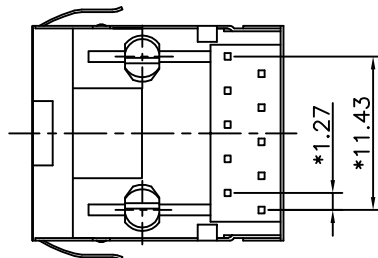
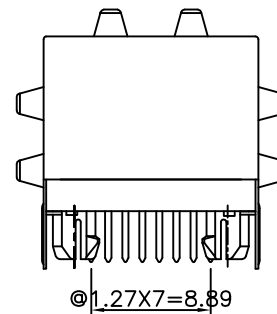
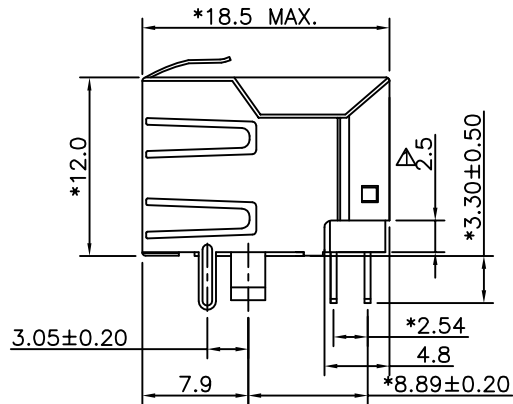
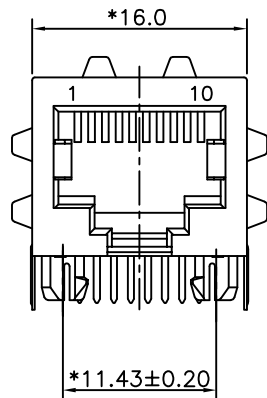


RoHS

THIS IS A RoHS COMPLIANT COMPONENT/PRODUCT.



PC Board Layout
Component Side Shown

NOTES:

ELECTRICAL:

- 1. VOLTAGE RATING : 125 VAC.
- 2. CURRENT RATING : 1.5 AMP.
- 3. CONTACT RESISTANCE : 45 MILLIOHMS MAX.
- 4. INSULATION RESISTANCE : 1000 MEGOHMS MIN. @ 500 VDC.
- 5. DIELECTRIC STRENGTH : 1000 VAC 60Hz, 1MIN.

MECHANICAL:

- 1. HOUSING MATERIAL : GLASS FILLED POLYESTER OR HIGH TEMP. UL94V-0.
- 2. CONTACT MATERIAL : PHOSPHOR BRONZE t=0.35mm.
- 3. PLATING : GOLD PLATING OVER NICKEL.
- 4. OPERATING LIFE : 750 CYCLES MIN.
- 5. PCB RETENTION PRE-SOLDER : 1 LB MIN.
- 6. PCB RETENTION POST-SOLDER : 10 LBS MIN.

ENVIRONMENTAL:

- 1. STORAGE : -40°C TO +85°C.
- 2. OPERATION : -40°C TO +85°C.

MATES WITH MODULAR PLUG CONFORMING TO FCC PART 68, SUBPART F.

PART NUMBER : N361X-030-XX

- 1-3u" 2-6u" 3-15u" 01-HOUSING POLYESTER. W/TOP&SIDE EMI TAB 10P8C
- 4-30u" 5-50u" 02-HOUSING HIGH TEMP W/TOP&SIDE EMI TAB 10P8C

△ X1		2.5 WAS 2.3	YANG	010810	
△ X0	000000	NEW DESIGN	YANG	122309	
MARK	ECN-NO.	REVISION RECORD	DRAWN	DATE	
		UNLESS OTHERWISE SPECIFIED TOLERANCE	SCALE	CHECKED	
		Dimension Range	Tolerance	2/1	
		X.X	±0.20	UNIT	APPROVED
		X.XX	±0.15	mm	
Contact Technology Co., Ltd.		X.XXX	±0.10	SIZE	
Material/Plated/Notes		ANGLE	±5°	A3	
SEE NOTE		SIDE ENTRY JACK 10P8C STP(11.5)			
Tooling No.		PART NO.	SEE NOTE	REV.	
		DOC. NO.	NN360A030	1	