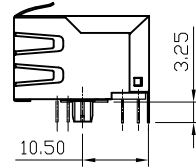
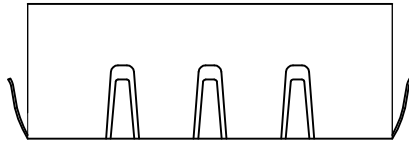
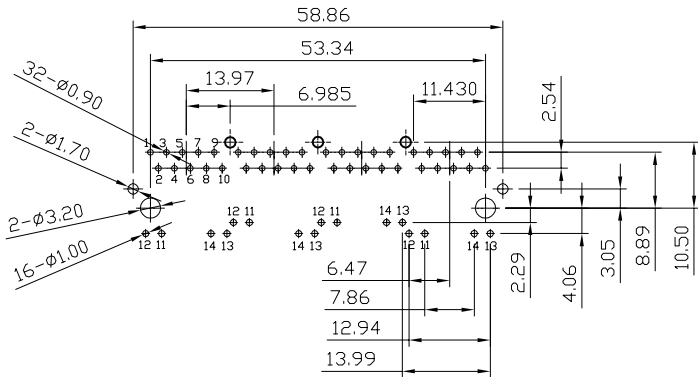
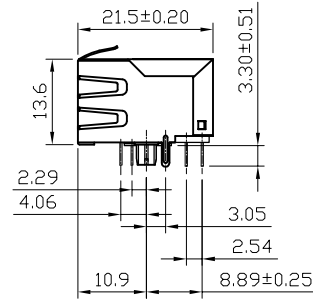
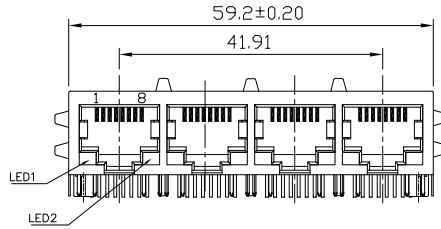


RoHS

THIS IS A RoHS COMPLIANT COMPONENT/PRODUCT.



W/D SIDE PEG W/3 BACK PEG



Notes:

Characteristics Description:

1. RJ45 1000 Base-Tx Transformer Jack With Transformer Impedance Resistor/High Voltage Capacitor.
2. Size Same As RJ-45 Modular Jack To Save PCB Space.
3. Reduce EMI Radiation, Improve EMI Performance.
4. Designed For Network Interface Card Application.
5. Designed To Meet IEEE 802.3u Requirement.
6. Designed For 1000 Base Transmission over UTP-5 Cable.
7. Operation Temperature Range: 0°C To 70°C

Electrical Specifications:

1. Inductance At 100 KHz, 100 mV 8mADC Bias: 350 uH Min.
2. Leakage Inductance 0.4 uH Max. @100KHz 100mV
3. Insertion Loss: 1.1 dB Max. @ 1-100 MHz
4. Return Loss: 18dB Min. @ 1-30MHz
16dB Min. @ 30-60MHz
12dB Min. @ 60-80MHz
5. Cross Talk: 30dB Min. @ 1-100MHz
6. Common Mode Rejection: 30dB Min. @1-100MHz
7. Isolation Voltage @60Hz:1500Vrms(Input To Output) 60 Seconds

Mechanical:

1. Housing Material: High Temp. UL94V-0
2. Contact Material: Phosphor Bronze t=0.30mm
3. Plating: Gold Plating Over Nickel.
4. Operating Lift: 750 Cycles Min.

Environmental:

1. Storage:-40°C To+85°C.
2. Operation:0°C To+70°C.
3. Wave Soldering Temperature:255~265°C (5~10 Seconds)
230~250°C (3~5 Seconds)

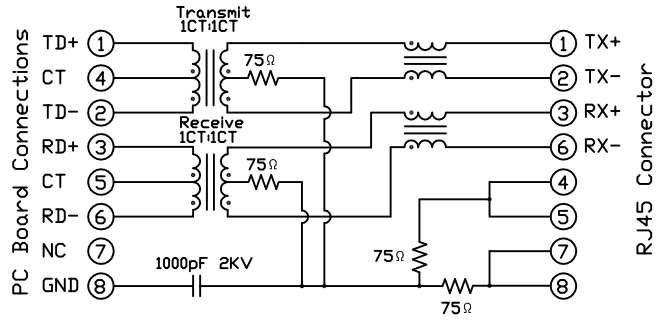
Mates With Modular Plug Conforming To TIA-1096-A
Part Number: K3T4X-042-0X

- 01-W/ EMI TAB HIGH TEMP BK. TYPE1
L1:GR/YL L2:GR/YL
 - 02-W/ EMI TAB HIGH TEMP BK. TYPE1
 - 03-W/ EMI TAB HIGH TEMP BK. TYPE3
W/D SIDE PEG W/3 BACK PEG
Operation:-40°C To +85°C.
 - 04-W/ EMI TAB HIGH TEMP BK. TYPE3
Operation:-40°C To +85°C.
 - 05-W/ EMI TAB HIGH TEMP BK. TYPE4
Operation:-40°C To +85°C.
 - 06-W/ EMI TAB HIGH TEMP BK. TYPE5
- 1-3u" 2-6u" 3-15u"
4-30u" 5-50u"
7-GOLD FLASH

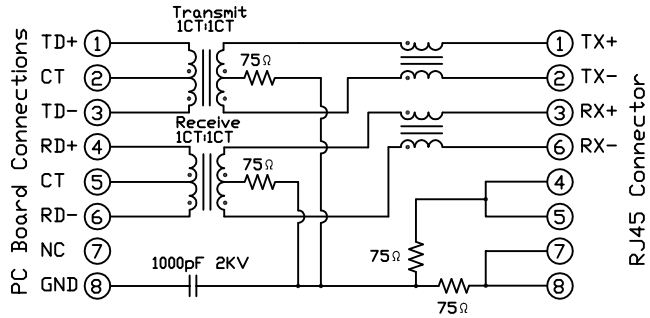
料号	LED 1	LED 2
K3T4X-042-06	12 11 GREEN	14 13 GREEN
K3T4X-042-01 K3T4X-042-04 K3T4X-042-05	12 11 YELLOW GREEN	14 13 YELLOW GREEN
K3T4X-042-02	12 11 YELLOW	14 13 GREEN
K3T4X-042-03	12 11 GREEN	14 13 YELLOW

△ X0	NEW DESIGN	GRACE	022013'
MARK	ECN-NO.	REVISION RECORD	DRAWN DATE
 Contact Technology Co., Ltd. Material/Plated/Notes SEE NOTE	UNLESS OTHERWISE SPECIFIED TOLERANCE	SCALE	CHECKED
	Dimension Range Tolerance	1/1	APPROVED
	X.X ±0.20 UNIT	mm	SHEET 1/3
	X.XX ±0.15	mm	
X.XXX ±0.10	SIZE	A4	
ANGLE ±5°			
Tooling No.	PART NO.	K3T4X-042-0X	REV. 0
	DOC. NO.	KK3T0A042	

Schematic: 10/100



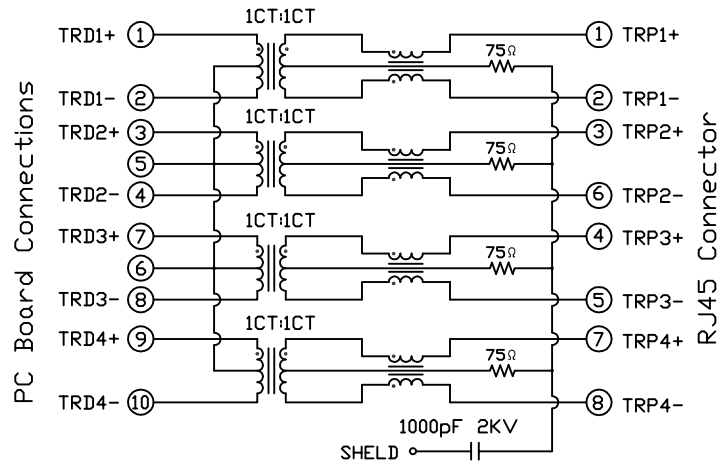
TYPE 2



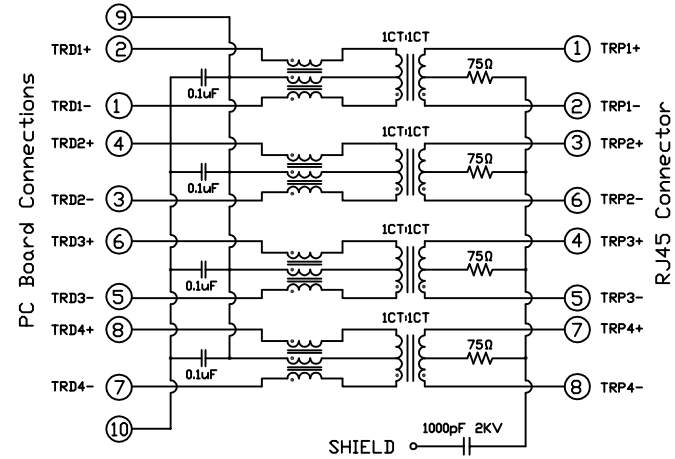
TYPE 3

△ X0		NEW DESIGN	GRACE	022013'
MARK	ECN-NO.	REVISION RECORD	DRAWN	DATE
 Contact Technology Co., Ltd.	UNLESS OTHERWISE SPECIFIED TOLERANCE Dimension Range Tolerance		SCALE	CHECKED
	X.X	±0.20	1/1	APPROVED
	X.XX	±0.15	mm	
	X.XXX	±0.10	SIZE	
Material/Plated/Notes		ANGLE	±5°	A4
SEE NOTE		NAME 1X4 Transformer Jack With LED		
Tooling No.		PART NO.	K3T4X-042-0X	REV. 0
		DOC. NO.	KK3TOA042	

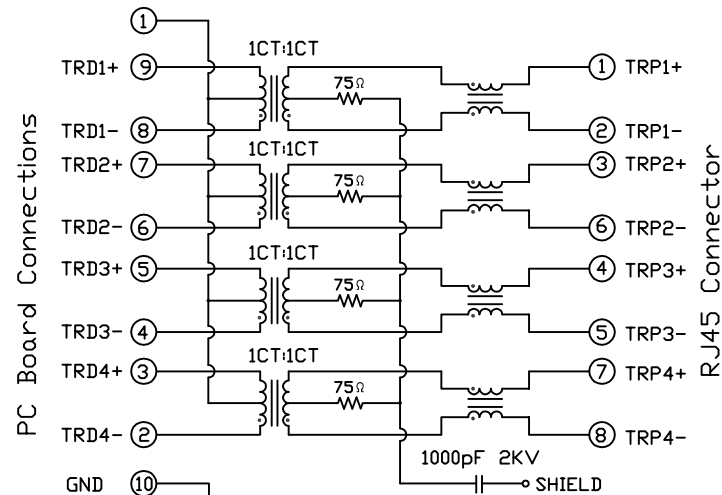
Schematic GIGA:



TYPE 1



TYPE 5



TYPE 4

X0		NEW DESIGN		GRACE		022013	
MARK	ECN-NO.	REVISION RECORD		DRAWN	DATE		
		UNLESS OTHERWISE SPECIFIED TOLERANCE		SCALE	CHECKED		
		Dimension Range	Tolerance	1/1	APPROVED		
		X.X	±0.20	UNIT	mm		
		X.XX	±0.15	SIZE	A4		
Contact Technology Co., Ltd.		ANGLE	±0.10	SIZE	A4		
Material/Plated/Notes		NAME		SHEET		3/3	
SEE NOTE		1X4 Transformer Jack With LED					
Tooling No.		PART NO.		REV.		0	
		K3T4X-042-0X					
		DOC. NO.		KK3TOA042			