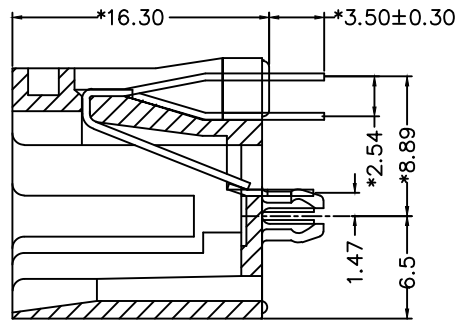
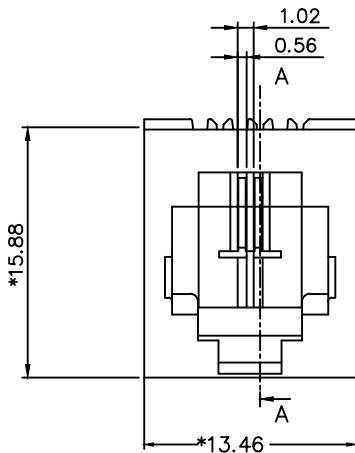
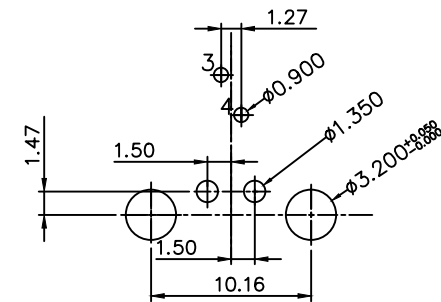
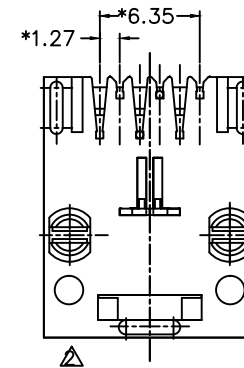


RoHS

THIS IS A RoHS COMPLIANT COMPONENT/PRODUCT.



SECTION A-A



PC Board layout
Component Side Shown

NOTES:

ELECTRICAL:

1. VOLTAGE RATING : 125 VAC RMS MIN.
2. CURRENT RATING : 1.5 AMP MIN.
3. CONTACT RESISTANCE : 30 MILLIOHMS MAX.
4. INSULATION RESISTANCE: 1000 MEGOHMS MIN @ 500 VDC.
5. DIELECTRIC STRENGTH : 750 VAC RMS 50Hz, 1MIN.

MECHANICAL:

1. HOUSING MATERIAL : THERMOPLASTIC HIGH TEMP. OR CLASS FILD POLYESTER UL94V-0 Δ
2. CONTACT MATERIAL : PHOSPHOR BRONZE $\phi=0.46\text{mm}$ Δ
3. PLATING : GOLD PLATING OVER NICKEL.
4. OPERATING LIFE : 750 CYCLES MIN.
5. PCB RETENTION PRE-SOLDER : 1 LB MIN.
6. PCB RETENTION POST-SOLDER: 10 LBS MIN.

ENVIRONMENTAL:

1. STORAGE : -40°C TO +85°C.
2. OPERATION: -40°C TO +85°C.

MATES WITH MODULAR PLUG CONFORMING TO FCC PART 68, SUBPART F.

PART NUMBER: N311X-041-XX

1- 3u" 2- 6u" 3-15u"
4-30u" 5-50u"

01-HIGH TEMP. Δ
02-POLYESTER.

Δ X1		MODIFY DRAWING	ROCK	091510'
Δ X3		UPDATE DRAWING(3)	SAIL	040708
Δ X0	0000000	NEW DESIGN	SAIL	012308
MARK	ECN-NO.	REVISION RECORD	DRAWN	DATE
		UNLESS OTHERWISE SPECIFIED TOLERANCE	SCALE	CHECKED
		Dimension Range Tolerance	2.5/1	
		X.X ±0.20 UNIT		APPROVED
		X.XX ±0.15 mm		
Contact Technology Co., Ltd.		X.XXX ±0.10 SIZE	A3	SHEET 1/1
Material/Plated/Notes		ANGLE ±5°		
SEE NOTE		NAME: TOP ENTRY PCB JACK WITH SHORTING BAR		
Tooling No.	8000931	PART NO. SEE NOTE	REV. 2	
		DOC. NO. NN310A041		