

RoHS

THIS IS A RoHS
COMPLIANT
COMPONENT/
PRODUCT.

Notes:

Characteristics Description:

1. RJ45 2.5Base-Tx Transformer Jack With Transformer Impedance Resistor/High Voltage Capacitor.
2. Size Same As RJ-45 Modular Jack To Save PCB Space.
3. Reduce EMI Radiation, Improve EMI Performance.
4. Designed For Network Interface Card Application.
5. Designed To Meet IEEE 802.3ab Requirement.

Electrical Specifications:

1. Inductance At 100 KHz, 100 mV 8mADC Bias: 350 uH Min.
2. Leakage Inductance 0.4 uH Max. @100KHz 100mV
3. Insertion Loss: 0.5dB Max. @ 1-50 MHz ;1.0dB Max. @50-125 MHz
4. Return Loss: 20dB Min. @ 1-40MHz
-20+15*log(Freq MHz/40MHz) dB MIN @ 40-200MHz
5. Cross Talk: 30dB Min. @ 1-125MHz
6. Common Mode Rejection: 30dB Min. @1-100MHz
7. Isolation Voltage @60Hz:1500Vrms(Input To Output)

60 Seconds Mechanical:

1. Housing Material: HIGH TEMP.BK-HF, UL94V-0
2. Insert Material: HIGH TEMP.BK-HF, UL94V-0
3. Contact Mateial: Phosphor Bronze t=0.30mm.
4. Plating : Contact Area-Gold Plating.
5. Shield Material:SUS304 .T=0.2mm
6. Operating Life: 750 Cycles Min.

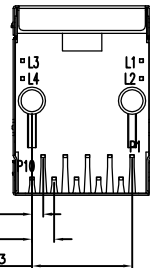
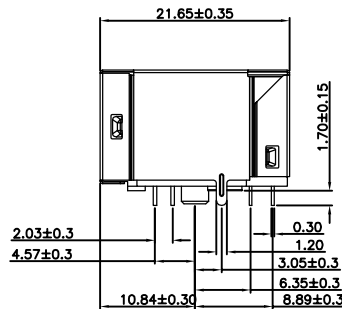
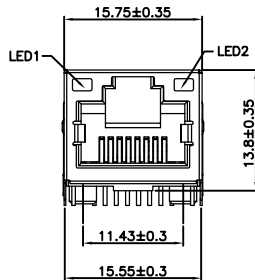
Environmental:

- 1.Storage :-40°C To +85°C.
- 2.Operation :0°C To +70°C.

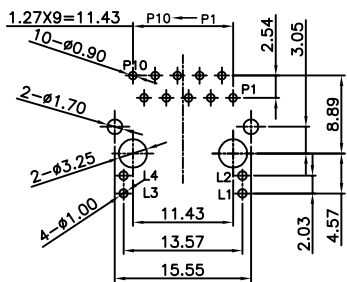
Mates With Modular Plug Conforming To TIA-1096-A

Part Number: K3T1X-030-XX

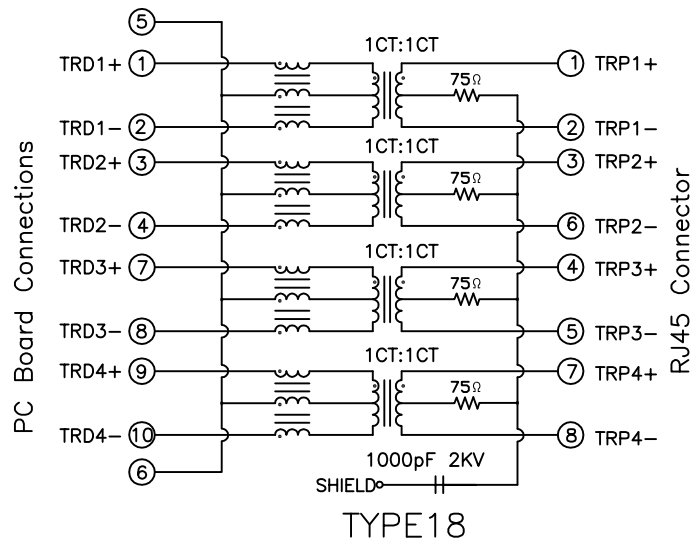
1-3u" 2-6u" 3-15u" 56:HIGH TEMP.BK-HF, W/O EMI LED1:GR/YL LED2:OG
4-30u" 5-50u" 7-gold flash TYPE18



Schematic 2.5G:



PC Board Layout Component Side Shown



| | | | | |
|---|--------------------------------------|-----------------|----------|--------|
| AX0 | 006000 | NEW DESIGN | Andy | 082720 |
| MARK | ECN-NO. | REVISION RECORD | DRAWN | DATE |
| Contact Technology Co., Ltd. Material/Plated/Notes SEE NOTE | UNLESS OTHERWISE SPECIFIED TOLERANCE | SCALE | CHECKED | |
| | Dimension Range Tolerance | UNIT | APPROVED | |
| | X.X ±0.20 | mm | | |
| | X.XX ±0.15 | | | |
| X.XXX ±0.10 | SIZE | A3 | SHEET | 1/1 |
| ANGLE ±5° | | | | |
| NAME | RJ45 1X1 2.5G Transformer Jack STP | | | |
| Tooling No. | PART NO. | SEE NOTE | REV. | |
| | DOC. NO. | KK3T0A030 | A | |

| LED DISPLAY | | |
|--------------|----------------------------|-------------------|
| PART NO. | LED1 | LED2 |
| K3T1X-030-56 | GREEN L3 → L4 YELLOW | ORANGE L1 → L2 |