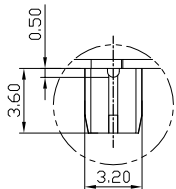
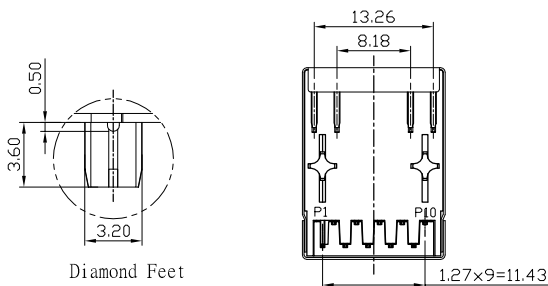
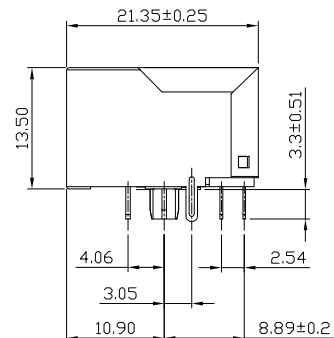
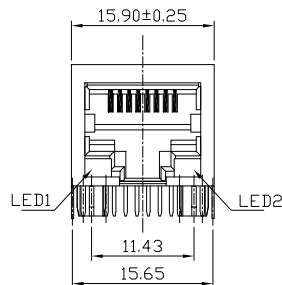
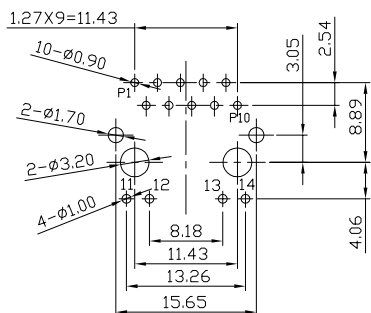


RoHS

THIS IS A RoHS COMPLIANT COMPONENT/PRODUCT.

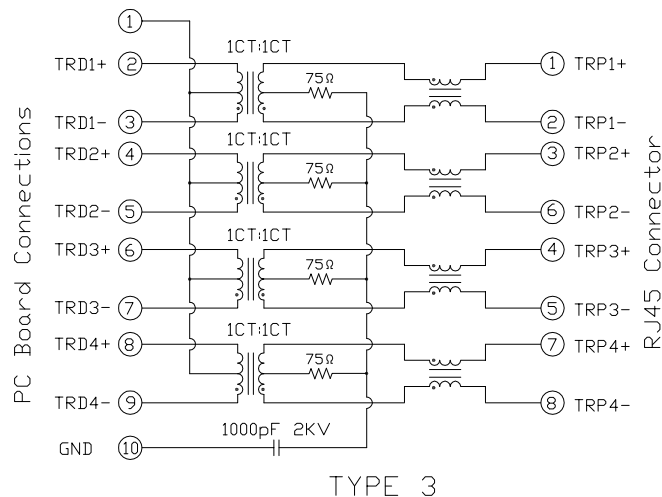


Diamond Feet
SCALE 2:1



PC Board Layout
Component Side Shown

Schematic:



TYPE 3

Notes:

Characterization Description:

1. RJ45 10/100 OR GIGA Base-Tx Transformer Jack With Transformer Impedance Resistor/High Voltage Capacitor.
2. Size Same As RJ-45 Modular Jack To Save PCB Space.
3. Reduce EMI Radiation, Improve EMI Performance.
4. Designed For Network Interface Card Application.
5. Designed To Meet IEEE 802.3u Requirement.
6. Designed For 100 Base Transmission over UTP-5 Cable.

Electrical Specifications:

1. Inductance At 100 KHz, 100 mV 8mADC Bias: 350 uH Min.
2. Leakage Inductance 0.3 uH Max. @100KHz 100mV
3. Insertion Loss: 1.1 dB Max. @ 1-100 MHz
4. Return Loss: 18dB Min. @1-30MHz
16dB Min. @ 30-60MHz
12dB Min. @ 60-80MHz
5. Cross Talk: 1-100MHz 30dB Min.
6. Common Mode Rejection: 30dB Min. @1-100MHz
7. Isolation Voltage @60Hz:1500Vrms(Input To Output) 60 Seconds
8. VOLTAGE RATING: 30VDC.
9. CURRENT RATING: 8mADC.

Mechanical:

1. Housing Material : POLYESTER or HIGH Temp UL94V-0
2. Contact Material : Phosphor Bronze T=0.30mm
3. Plating: Gold Plating Over Nickel.
4. Operating Life : 750 Cycles Min.
5. Shield Material: 0.20mm THICKNESS BRASS Plating Nickel.
6. PCB Retention Pre-Solder: 1 LB Min.
7. PCB Retention Post-Solder: 10 LBS Min.

Environmental:

1. Storage: -40°C TO +85°C.
2. Operation: 0°C TO +70°C.
3. Wave Soldering Temperature:255~265°C (5~10 Seconds)

Mates With Modular Plug Conforming To TIA-1096-A

Part Number: K3T1X-033-0X

1-3u" 2-6u" 3-15u" 21:W/O TAB EMI,HIGH TEMP BK Diamond Feet
4-30u" 5-50u" TYPE3
7-GOLD FLASH

NO	LED 1	LED 2
K3T1X-033-21	11 12 YELLOW	13 14 GREEN

	X1	ADD NEW P/N	GRACE	021214'
	X0	0000000	NEW REVISION	GRACE 052713'
MARK	ECN-NO.	REVISION RECORD	DRAWN	DATE
	UNLESS OTHERWISE SPECIFIED TOLERANCE		SCALE	CHECKED
	Dimension Range Tolerance		1/1	
	X.X	±0.20	UNIT	APPROVED
	X.XX	±0.15	mm	
Contact Technology Co., Ltd.		X.XXX	±0.10	SIZE
Material/Plated/Notes		ANGLE	±5°	A3
SEE NOTE		1*1 Transformer Jack With LED		
Tooling No.		PART NO.	K3T1X-033-0X	REV.
		DOC. NO.	KK3T0A033	A