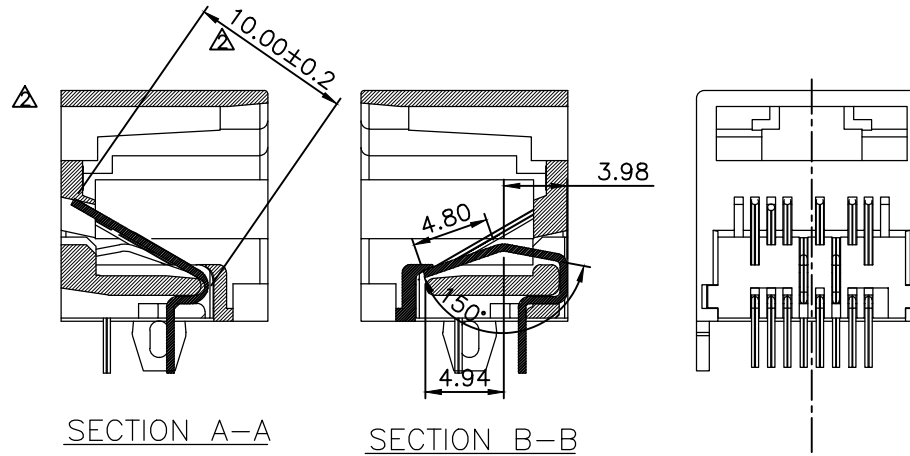
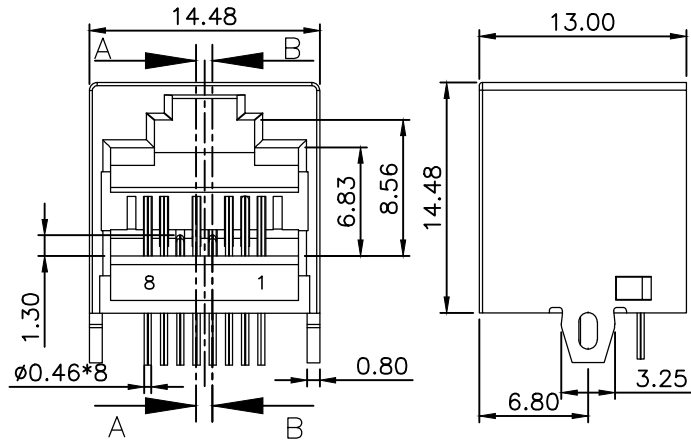


RoHS

THIS IS A RoHS COMPLIANT COMPONENT/PRODUCT.



NOTES:

ELECTRICAL:

- 1. VOLTAGE RATING : 150 VAC.
- 2. CURRENT RATING : 1.5 AMP.
- 3. CONTACT RESISTANCE : 20 MILLIOHMS MAX.
- 4. INSULATION RESISTANCE : 50 MEGOHMS MIN. @ 500 VDC.
- 5. DIELECTRIC STRENGTH : 1000 VAC 60Hz, 1MIN.

MECHANICAL:

- 1. HOUSING&INSERT&MATERIAL : PBT UL94-V0 BLACK
- 2. CONTACT MATERIAL : PHOSPHOR BRONZE  $\phi 0.46$  mm.
- 3. PLATING : GOLD FLASH PLATING AT CONTACT AREA NICKEL 30U MIN.OVER ALL
- 4. OPERATING LIFE : 750 CYCLES MIN.
- 5. MATING/UNMATING FORCE : 30N/3.06KG MAX.
- 6. RETENTION STRENGTH : 50N MIN.FOR 60S+/-5S

ENVIRONMENTAL:

- 1. STORAGE : -40°C TO +85°C. RELATIVE HUMIDITY<80%
- 2. OPERATION : -40°C TO +85°C.
- 3. GUARANTEE PERIOD:12 MONTHS
- 4. WAVE SOLDERING TEMPERATURE:260+/-5°C 5-10SECONDS.

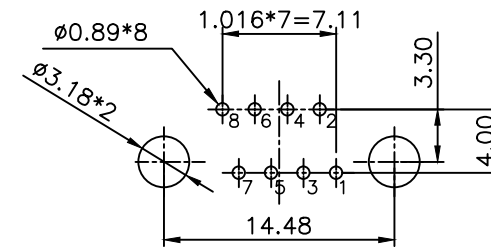
MATES WITH MODULAR PLUG CONFORMING TO TIA-1096-A.

Support category 5e and 6 applications and simplifies circuit design.

PART NUMBER : N371X-062-0X

- 1-3u" 2-6u"
- 3-15u" 4-30u"
- 5-50u" 7-GOLD FLASH
- B-0.5u"

- 1.PBT C6
- 2.PA9T HIGH TEMP (Proprietary customers)
- 3.PA6T Red 485C
- 4.PA9T BK



PC Board Layout  
Component Side Shown

△ X1		ADD NEW P/N	Joy	041621'
△ X2		MODIEY DRAWING	TYLER	050619'
△ X1		MODIEY DRAWING	HENRY	082217'
△ X1		MODIEY DRAWING	HENRY	022117'
△ X0	0069900	NEW DESIGN	HENRY	080515
MARK	ECN-NO.	REVISION RECORD	DRAWN	DATE

<p>Contact Technology Co., Ltd.</p> <p>Material/Plated/Notes</p>	UNLESS OTHERWISE SPECIFIED TOLERANCE	SCALE	CHECKED
	Dimension Range Tolerance	2.5/1	
	X.X ±0.20	UNIT	APPROVED
	X.XX ±0.15	mm	
X.XXX ±0.10	SIZE	A3	SHEET 1/1
ANGLE ±5°			
SEE NOTE	C6 SIDE ENTRY PCB JACK, 8P		
Tooling No.	PART NO. N371X-062-0X	REV. 4	
	DOC. NO. NN370A062		