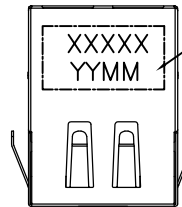


RoHS

THIS IS A RoHS COMPLIANT COMPONENT/PRODUCT.

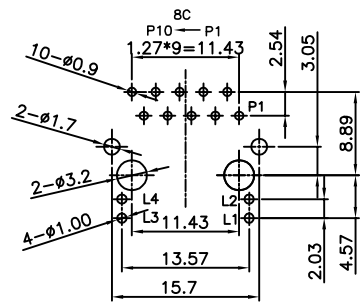
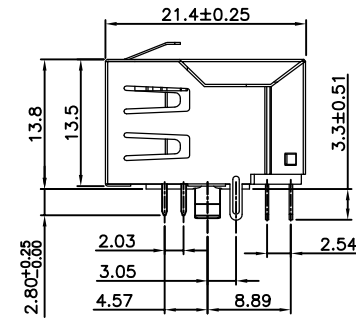
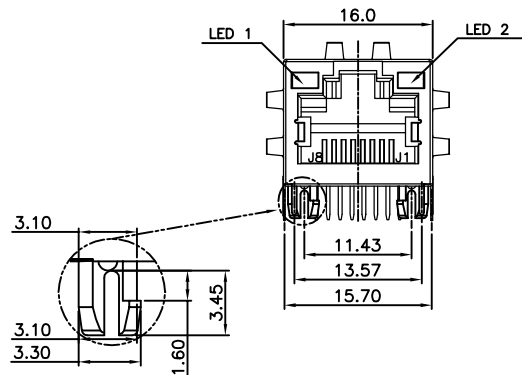
DATE CORE YY MM
年 月



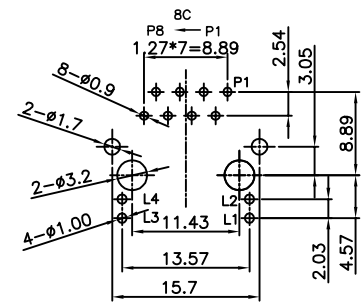
LOGO & DATE CORE

LED DISPLAY

PART NO.	LED1	LED2
K3T1X-030-01		
K3T1X-030-02		
K3T1X-030-04		
K3T1X-030-08		
K3T1X-030-09		
K3T1X-030-10		
K3T1X-030-11	GREEN L3 → L4	YELLOW L1 → L2
K3T1X-030-13		
K3T1X-030-16		
K3T1X-030-17		
K3T1X-030-18		
K3T1X-030-19		
K3T1X-030-20		
K3T1X-030-23		
K3T1X-030-03	YELLOW L3 → L4	GREEN L1 → L2
K3T1X-030-12		
K3T1X-030-05	YELLOW L3 → L4	ORANGE L1 → L2 GREEN
K3T1X-030-21		
K3T1X-030-06	YELLOW L3 → L4 GREEN	YELLOW L1 → L2 GREEN
K3T1X-030-07	GREEN L3 → L4 AMBER	GREEN L1 → L2
K3T1X-030-14	YELLOW L3 → L4	GREEN L1 → L2
K3T1X-030-15		



PC Board Layout Component Side Shown



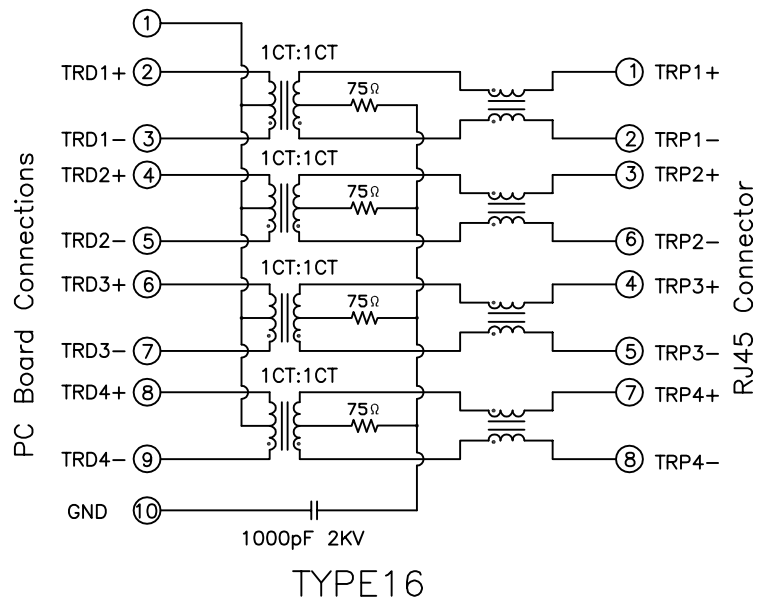
PC Board Layout Component Side Shown

△ X6		ADD NEW P/N	GRACE	090213'	
△ X0	0000000	NEW DESIGN	GRACE	090213'	
MARK	ECN-NO.	REVISION RECORD	DRAWN	DATE	
		UNLESS OTHERWISE SPECIFIED TOLERANCE	SCALE	CHECKED	
		Dimension Range	Tolerance		
		X.X	±0.20	UNIT	APPROVED
		X.XX	±0.15	mm	
Contact Technology Co., Ltd.		X.XXX	±0.10	SIZE	
Material/Plated/Notes		ANGLE	±5°	A3	
SEE NOTE		NAME	RJ45 1X1 Transformer Jack STP		
Tooling No.		PART NO.	SEE NOTE	REV.	
		DOC. NO.	KK3T0A030	B	



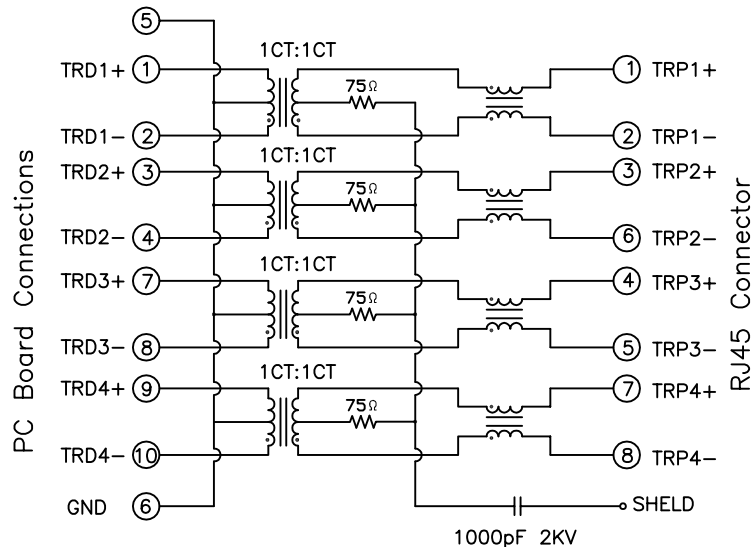
THIS IS A RoHS
COMPLIANT
COMPONENT/
PRODUCT.

Schematic GIGA:

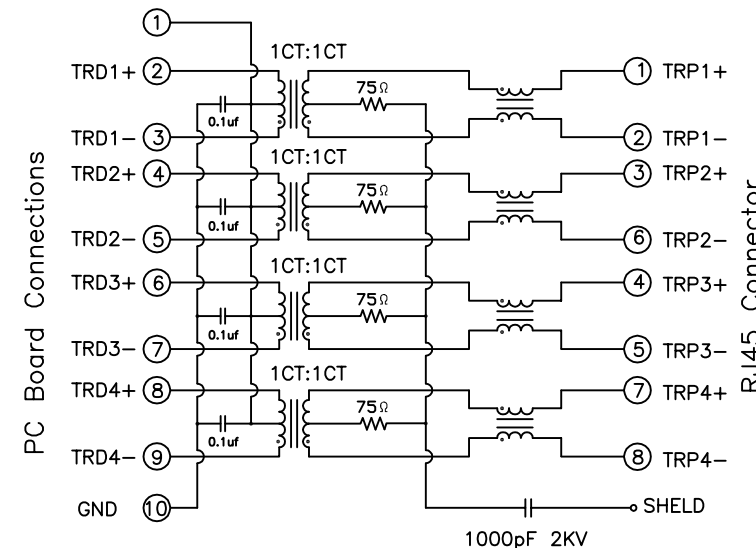


		ADD NEW P/N	GRACE	090213'
	000000	NEW DESIGN	GRACE	090213'
MARK	ECN-NO.	REVISION RECORD	DRAWN	DATE
	UNLESS OTHERWISE SPECIFIED TOLERANCE		SCALE	CHECKED
	Dimension Range	Tolerance		
	X.X	±0.20	UNIT	APPROVED
	X.XX	±0.15	mm	
X.XXX	±0.10	SIZE		
Contact Technology Co., Ltd.	ANGLE	±5°	A3	SHEET 5/6
Material/Plated/Notes	NAME	RJ45 1X1 Transformer Jack STP		
SEE NOTE	PART NO.	SEE NOTE	REV. B	
Tooling No.	DOC. NO.	KK3T0A030		

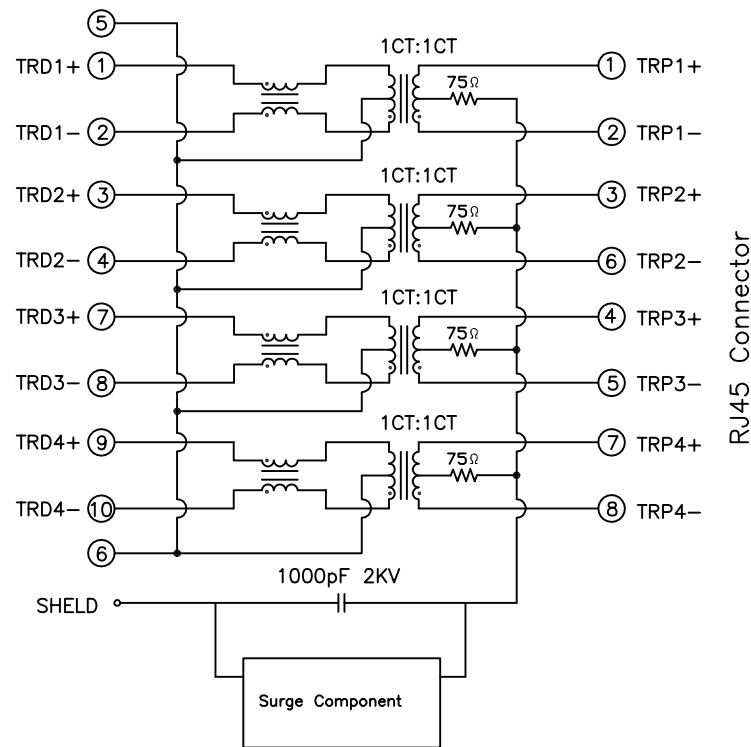
Schematic GIGA:



TYPE2



TYPE5



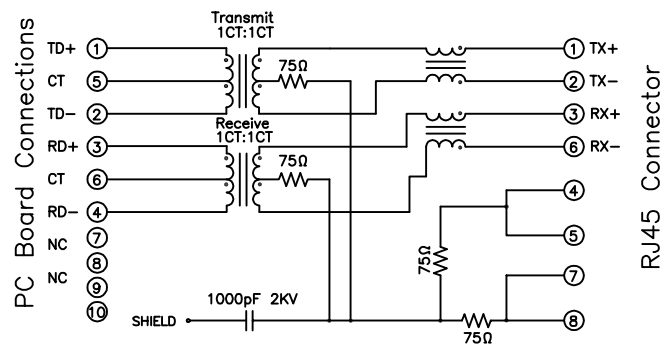
TYPE14

△ X6		ADD NEW P/N	GRACE	090213'	
△ X0	0000000	NEW DESIGN	GRACE	090213'	
MARK	ECN-NO.	REVISION RECORD	DRAWN	DATE	
		UNLESS OTHERWISE SPECIFIED TOLERANCE	SCALE	CHECKED	
		Dimension Range	Tolerances	APPROVED	
		X.X	±0.20	UNIT	mm
		X.XX	±0.15	SIZE	A3
Contact Technology Co., Ltd.		ANGLE	±5°	SHEET 4/6	
Material/Plated/Notes		NAME			
SEE NOTE		RJ45 1X1 Transformer Jack STP			
Tooling No.		PART NO.	SEE NOTE	REV.	
		DOC. NO.	KK3T0A030	B	

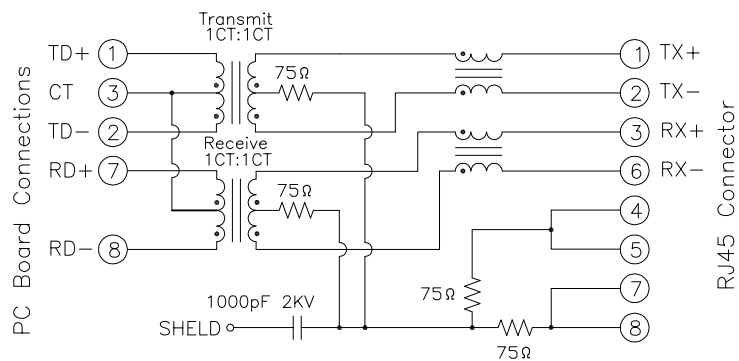


THIS IS A RoHS
COMPLIANT
COMPONENT/
PRODUCT.

Schematic: 10/100



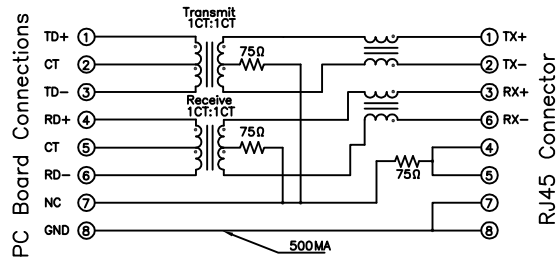
TYPE 15



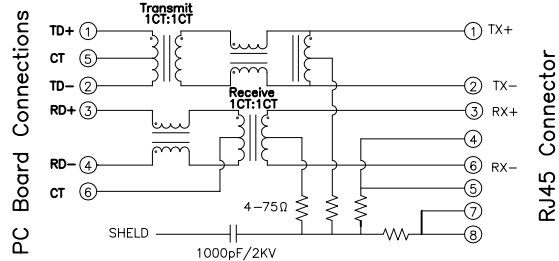
TYPE 17

		ADD NEW P/N	GRACE	090213'
	0000000	NEW DESIGN	GRACE	090213'
MARK	ECN-NO.	REVISION RECORD	DRAWN	DATE
	UNLESS OTHERWISE SPECIFIED TOLERANCE		SCALE	CHECKED
	Dimension Range	Tolerance	UNIT	APPROVED
	X.X	±0.20	mm	
	X.XX	±0.15	mm	
X.XXX	±0.10	SIZE	A3	
X.XXXX	±0.10	ANGLE	±5°	
Material/Plated/Notes		NAME		
SEE NOTE		RJ45 1X1 Transformer Jack STP		
Part No.		PART NO.	SEE NOTE	REV.
		DOC. NO. KK3T0A030		B

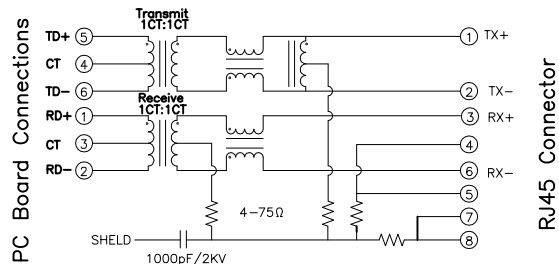
Schematic: 10/100



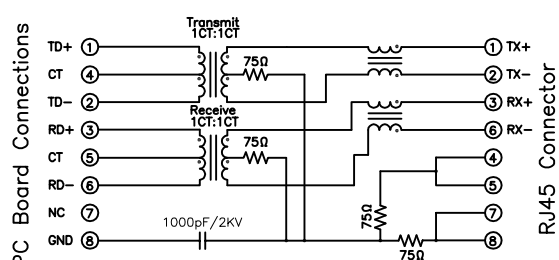
TYPE 1



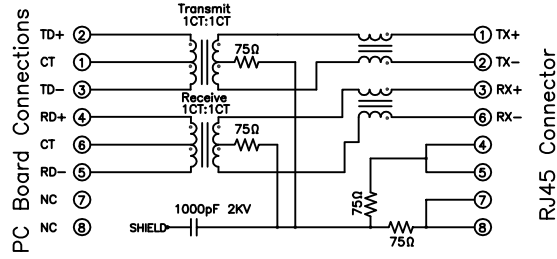
TYPE 3



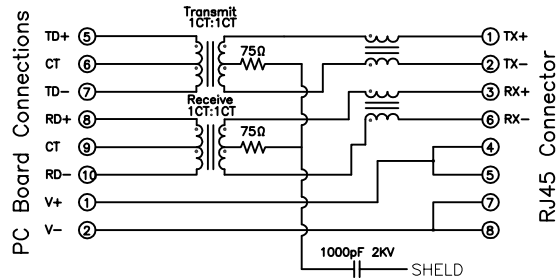
TYPE 4



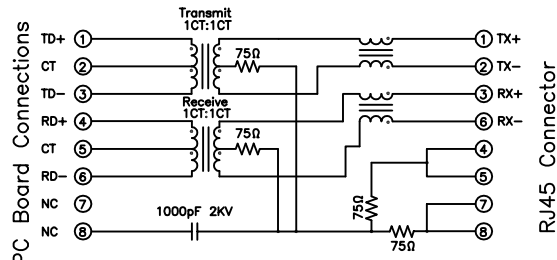
TYPE 6



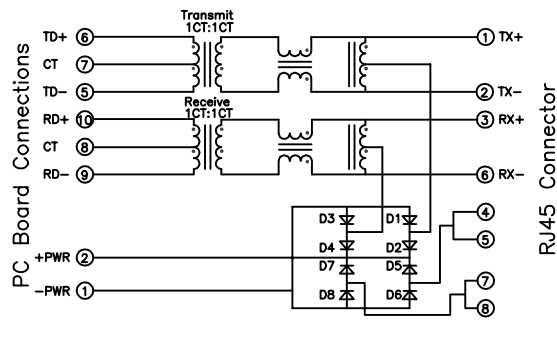
TYPE 7



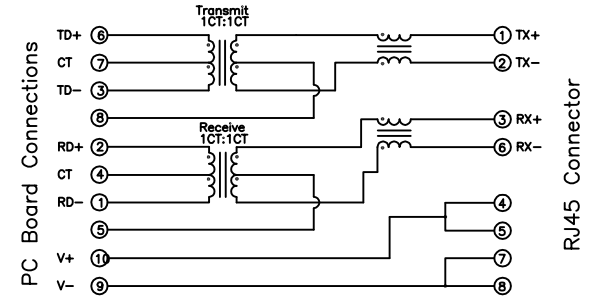
TYPE 8



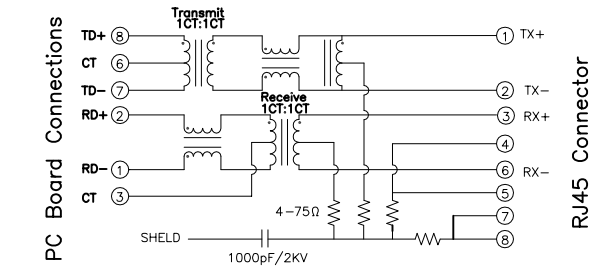
TYPE 9



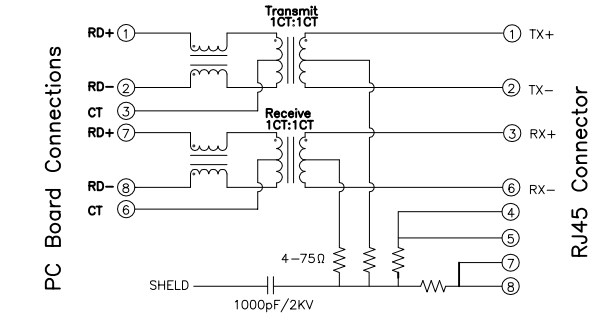
TYPE 10



TYPE 11



TYPE 12



TYPE 13

X6		ADD NEW P/N	GRACE	090213'
X0	0009000	NEW DESIGN	GRACE	090213'
MARK	ECN-NO.	REVISION RECORD	DRAWN	DATE
		UNLESS OTHERWISE SPECIFIED TOLERANCE		SCALE
		Dimension Range	Tolerance	CHECKED
Contact Technology Co., Ltd. Material/Plated/Notes SEE NOTE		X.X	±0.20	UNIT
		X.XX	±0.15	mm
		X.XXX	±0.10	SIZE
Parting No.		ANGLE	±5°	A3
		NAME		RJ45 1X1 Transformer Jack STP
Part No.		PART NO.		REV.
		DOC. NO.		KK3T0A030



THIS IS A RoHS
COMPLIANT
COMPONENT/
PRODUCT.

Part Number: K3T1X-030-XX

1-3u" 2-6u"
3-15u" 4-30u"
5-50u" 7-gold flash

- 01:HIGH TEMP BK ,W/ EMI LED1:GR LED2:YL TYPE1
- 02:HIGH TEMP BK ,W/ EMI LED1:GR LED2:YL TYPE4
- 03:POLYESTER BK ,W/ EMI LED1:GR/YL LED2:GR TYPE5
- 04:HIGH TEMP BK ,W/ EMI LED1:GR LED2:YL TYPE6
Operation:-40°C To +85°C.
- 05:HIGH TEMP BK ,W/ EMI LED1:YL LED2:GR/OR TYPE2
- 06:HIGH TEMP BK ,W/ EMI LED1:YL/GR LED2:YL/GR TYPE2
Operation:-40°C To +85°C.
- 07:POLYESTER BK, W/O EMI LED1:AMBER/GR LED2:GR TYPE8
- 08:HIGH TEMP BK, W/ EMI LED1:GR LED2:YL TYPE9
Operation:-40°C To +85°C.
- ⚠ 09:HIGH TEMP BK, W/O EMI LED1:GR LED2:YL TYPE6
Operation:-40°C To +85°C.
- ⚠ 10:POLYESTER BK, W/O EMI LED1:GR LED2:YL TYPE10
W/ D/C & logo:REGAL W/O PIN3,4
- ⚠ 11:HIGH TEMP BK, W/ EMI LED1:GR LED2:YL TYPE11
Operation:-40°C To +85°C.
- ⚠ 12:HIGH TEMP BK, W/ EMI LED1:GR/YL LED2:GR TYPE2
- ⚠ 13:POLYESTER BK, W/ EMI LED1:YL LED2:GR TYPE2
- ⚠ 14:HIGH TEMP BK, W/O EMI LED1:YL LED2:GR TYPE9
Operation:-40°C To +85°C.
- ⚠ 15:HIGH TEMP BK, W/O EMI LED1:YL LED2:GR TYPE6
Operation:-40°C To +85°C.
- ⚠ 16:HIGH TEMP BK, W/O EMI LED1:GR LED2:YL TYPE9
Operation:-40°C To +85°C.
- ⚠ 17:HIGH TEMP BK, W/O EMI LED1:GR LED2:YL TYPE12
- ⚠ 18:HIGH TEMP BK, W/O EMI LED1:GR LED2:YL TYPE13
- ⚠ 19:HIGH TEMP BK, W/O EMI LED1:GR LED2:YL TYPE2
- 20:HIGH TEMP BK, W/ EMI LED1:GR LED2:YL TYPE14
- 21:HIGH TEMP BK, W/ EMI LED1:YL LED2:GR/OR TYPE15
- 22:POLYESTER BK, W/ EMI LED1:GR LED2:GR TYPE16
- 23: POLYESTER BK ,W/O EMI LED1:GR LED2:YL TYPE17

Notes:

Characteristics Description:

1. RJ45 10/100/1000 Base-Tx Transformer Jack With Transformer Impedance Resistor/High Voltage Capacitor.
2. Size Same As RJ-45 Modular Jack To Save PCB Space.
3. Reduce EMI Radiation, Improve EMI Performance.
4. Designed For Network Interface Card Application.
5. Designed To Meet IEEE 802.3u Requirement.
6. Designed For Base Transmission over UTP-5 Cable.

Electrical Specifications:

1. Inductance At 100 KHz, 100 mV 8mADC Bias: 350 uH Min.
2. Leakage Inductance 0.4 uH Max. @100KHz 100mV
3. Insertion Loss: 1.1 dB Max. @ 1-100 MHz
4. Return Loss: 18dB Min. @ 1-30MHz
16dB Min. @ 30-60MHz
12dB Min. @ 60-80MHz
5. Cross Talk: 30dB Min. @ 1-100MHz
6. Common Mode Rejection: 30dB Min. @1-100MHz
7. Isolation Voltage @60Hz:1500Vrms(Input To Output) 60 Seconds
8. VOLTAGE RATING: 57VDC.max
9. CURRENT RATING: 350mADC.

Mechanical:

1. Housing Material: POLYESTER OR HIGH TEMP. UL94V-0
2. Contact Mateial: Phosphor Bronze t=0.30mm.
3. Plating: Contact Area-Gold Plating.
4. Shield Material:Brass C2680 .T=0.2mm
5. Operating Life: 750 Cycles Min.

Environmental:

- 1.Storage : -40°C To +85°C.
 - 2.Operation : 0°C To +70°C.
 3. Wave Soldering Temperature:255~265°C (5~10 Seconds)HIGH TEMP.
230~250°C (3~5 Seconds) POLYESTER
- Mates With Modular Plug Conforming To TIA-1096-A

⚠ X6		ADD NEW P/N	GRACE	090213'
⚠ X0	000000	NEW DESIGN	GRACE	090213'
MARK	ECN-NO.	REVISION RECORD	DRAWN	DATE
		UNLESS OTHERWISE SPECIFIED TOLERANCE	SCALE	CHECKED
		Dimension Range Tolerance		APPROVED
		X.X ±0.20	UNIT	
		X.XX ±0.15	mm	
X.XXX ±0.10	SIZE			
Contact Technology Co., Ltd.		ANGLE ±5°	A3	SHEET 6/6
Material/Plated/Notes		NAME		
SEE NOTE		RJ45 1X1 Transformer Jack STP		
Tooling No.		PART NO.	SEE NOTE	REV.
		DOC. NO.	KK3T0A030	B