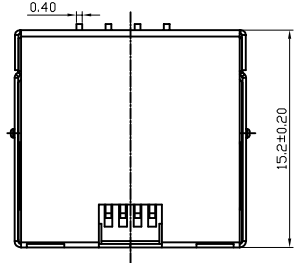


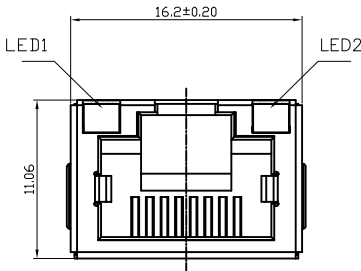
RoHS

THIS IS A RoHS COMPLIANT COMPONENT/PRODUCT.

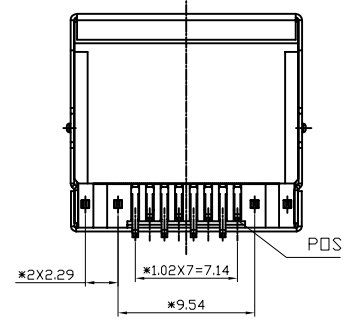
A



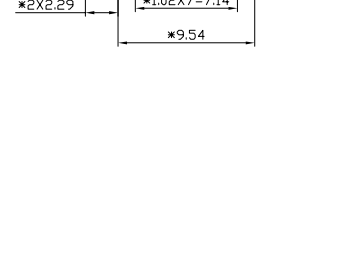
B



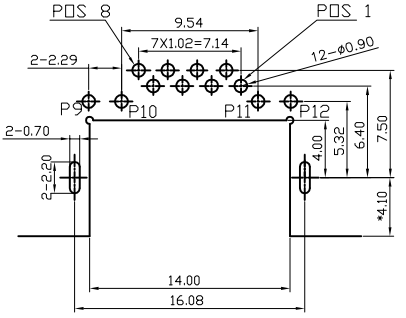
C



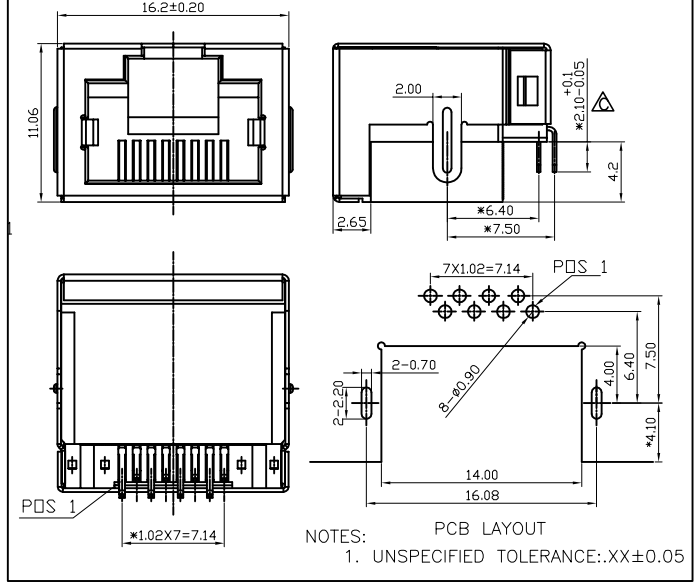
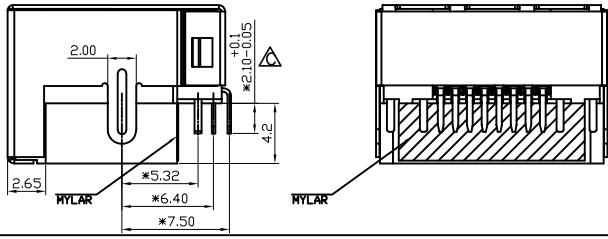
D



E



PCB LAYOUT
NOTES:
1. UNSPECIFIED TOLERANCE: .XX±0.05



PCB LAYOUT
NOTES:
1. UNSPECIFIED TOLERANCE: .XX±0.05

K3J1X-062-03H

LED DISPLAY

PART NO.	LED1	LED2
K3J1X-062-01H K3J1X-062-51	GREEN 9 → 10	YELLOW 11 → 12
K3J1X-062-02H	YELLOW 9 → 10	GREEN 11 → 12
K3J1X-062-04H	YELLOW 9 → 10	GREEN 11 → 12
K3J1X-062-05H	YELLOW 9 → 10	GREEN 11 → 12
K3J1X-062-06H	GREEN 9 → 10	YELLOW 11 → 12
K3J1X-062-08H	GREEN 9 → 10	YELLOW 11 → 12

NOTES:

- ELECTRICAL CHARACTERISTICS:
 - CURRENT RATING: 1.5A MAX.
 - VOLTAGE RATING: 150V MAX.
 - CONTACT RESISTANCE: 40 MILLIOHMS MAX.
 - INSULATION RESISTANCE: 100M MIN.
 - DIELECTRIC WITHSTANDING VOLTAGE: 1000VAC CONTACT TO CONTACT.
- LED'S CHARACTERISTICS:
 - POWER DISSIPATION: 80mW MAX.
 - FORWARD CURRENT: 30mA MAX.
 - FORWARD VOLTAGE: 2.2V TYPICAL.
 - REVERSE VOLTAGE: 5.0V MAX.
- MECHANICAL CHARACTERISTICS
 - MATING FORCES: 5 POUNDS MAX. WITH LATCH DEPRESSED.
 - UNMATING FORCES: 10 POUNDS MAX. WITH LATCH DEPRESSED AT AN ADVANTAGEOUS ANGLE.
 - OPERATING TEMPERATURE: -40° TO +85°
- MATERIAL:
 - HOUSING: HIGH TEMP UL 94V-0. STAND COLOR-BLACK.
 - SHIELD: TINPLATE STEEL 0.25MM.
 - CONTACT: PHOSPHO-COPPER, THICKNESS 0.25MM. CONTACTS 3u"MIN, GOLD PLATED ON CONTACT AREA, 100u"MIN, TIN ON SOLDER TALL, WITH ENTIRE CONTACT UNDERPLATED 30~80u"MIN, NI
 - LED: YELLOW AND GREEN

1-3u" 2-6u"
3-15u" 4-30u" 5-50u"
7-gold flash

- 01H-HIGH TEMP LED1:GREEN LED2:YELLOW W/MYLAR
- 02H-HIGH TEMP LED1:YELLOW LED2:GREEN W/D MYLAR
- 03H-HIGH TEMP W/D LED W/D MYLAR
- 04H-HIGH TEMP LED1:YELLOW/RED LED2:GREEN W/D MYLAR
- 05H-HIGH TEMP LED1:YELLOW LED2:GREEN W/D MYLAR
- 06H-HIGH TEMP LED1:GREEN LED2:YELLOW W/D MYLAR
- 07H-HIGH TEMP LED1:GREEN/DRANGE LED2:YELLOW W/D MYLAR
- 08H-HIGH TEMP LED1:GREEN LED2:YELLOW W/MYLAR T&R 包装
- 51-HIGH TEMP LED1:GREEN LED2:YELLOW W/MYLAR T&R 包装
- 52-HIGH TEMP LED1:GREEN LED2:YELLOW W/MYLAR

AX1		ADD NEW P/N	ANDY	120421
AX2		ADD NEW P/N	SOULE	010820
AX1		ADD NEW P/N	JDY	042519
AX2		Corrected foot tolerance	ANDY	091318
AX2		Corrected foot tolerance	ANDY	091118
AX0	0000000	NEW DESIGN	JDY	080814
MARK	ECN-NO.	REVISION RECORD	DRAWN	DATE

	UNLESS OTHERWISE SPECIFIED TOLERANCE	SCALE	CHECKED
	Dimension Range Tolerance	1/1	
	X.X	±0.20	APPROVED
	X.XX	±0.15	
	X.XXX	±0.10	
ANGLE	±5°	SIZE A3	SHEET 1/2
Material/Plated/Notes	NAME R45 LED JACK OR R45 JACK		
SEE NOTE			
Tooling No.	PART NO. SEE NOTE	REV. F	
	DOC. NO. KK3J0A062		