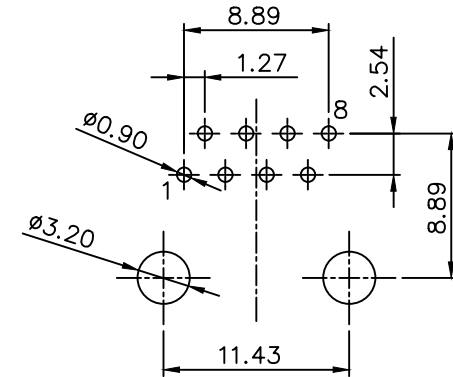
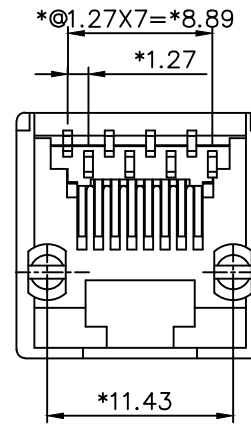
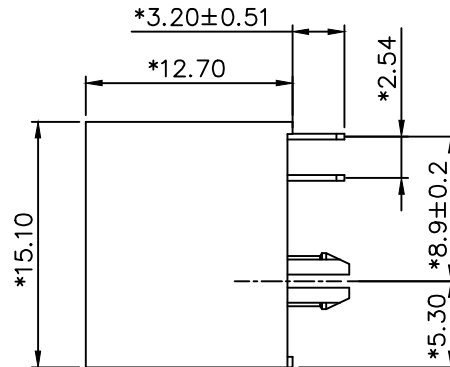
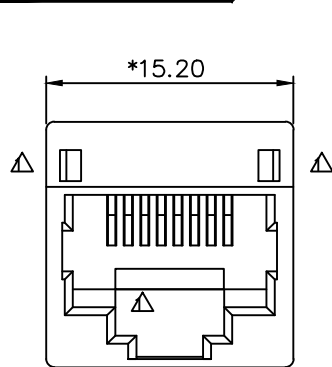


RoHS

THIS IS A RoHS COMPLIANT COMPONENT/PRODUCT.



PCB LAYOUT
COMPONENT SIDE SHOWN

NOTES:

ELECTRICAL:

- 1. VOLTAGE RATING : 125 VAC RMS.
- 2. CURRENT RATING : 1.5 AMP.
- 3. CONTACT RESISTANCE : 35 MILLIOHMS MAX.
- 4. INSULATION RESISTANCE: 1000 MEGOHMS MIN. @ 500 VDC.
- 5. DIELECTRIC STRENGTH : 1000 VAC RMS 60Hz, 1MIN.

MECHANICAL:

- 1. HOUSING MATERIAL : GLASS FILLED POLYESTER OR HIGH TEMP. UL94V-0. BK.
- 2. CONTACT MATERIAL : PHOSPHOR BRONZE t=0.35mm.
- 3. PLATING : GOLD PLATING OVER NICKEL.

(NOTE: Au PLATING 50u", TIN PLATING 75u" MIN, NICKEL PLATING 50u" MIN)

- 4. OPERATING LIFE : 750 CYCLES MIN.
- 5. PCB RETENTION POST-SOLDER : 10 LBS MIN.

ENVIRONMENTAL:

- 1. STORAGE : -40°C TO +85°C.
- 2. OPERATION : -40°C TO +85°C.

MATES WITH MODULAR PLUG CONFORMING TIA-1096-A.

PART NUMBER: N311X-090-XX

- 1-3u" 2-6u" 01-PBT BK Δ
- 3-15u" 4-30u" 02-FR52 BK Δ
- 5-50u" 7-1u" 03-PA9T BK Δ

Δ X1		ADD NEW P/N.	Joy	052222'
Δ X2		MODIFY DRAWING	Andy	082318'
Δ X3		MODIFY DRAWING	DORIS	112916'
Δ X0	000000	NEW DESIGN	KARL	010214'

MARK	ECN-NO.	REVISION RECORD	DRAWN	DATE
------	---------	-----------------	-------	------

CTK	UNLESS OTHERWISE SPECIFIED TOLERANCE	SCALE	CHECKED
	Dimension Range Tolerance	1.25/1	
	X.X ±0.20	UNIT	APPROVED
	X.XX ±0.15	mm	
X.XXX ±0.10	SIZE	A3	SHEET 1/1
ANGLE	±5°		

Contact Technology Co., Ltd. NAME: RJ45 TOP ENTRY DIP JACK

Tooling No.	PART NO. SEE NOTE	REV. 3
	DOC. NO. NN310A090	