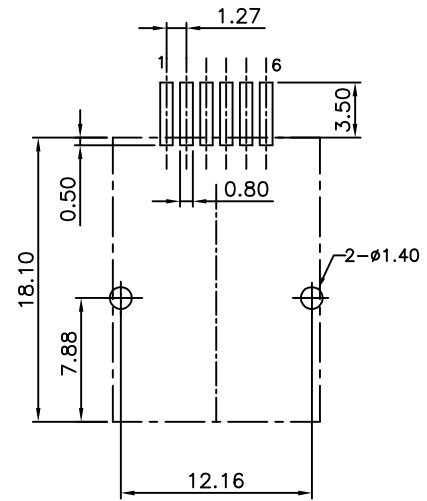
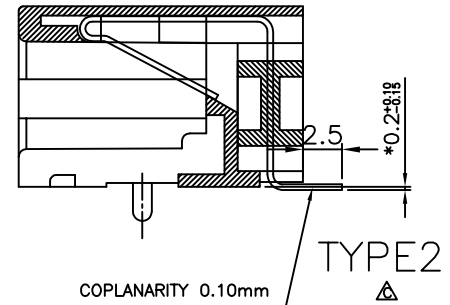
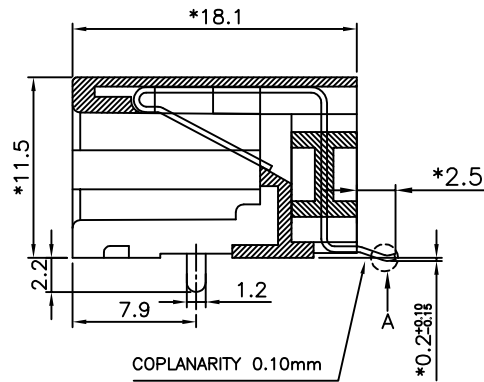
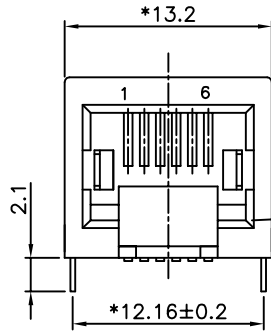
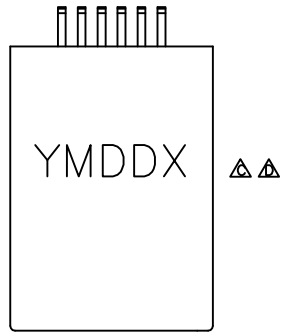




THIS IS A RoHS COMPLIANT COMPONENT/PRODUCT.



DATE CODE:
Y M DD X

厂别代码: T=TW-台湾 D=DG-东莞 E=KS-昆山长江厂 K=KS-昆山青阳厂 G=CG-重庆
日期代码: (01,02,03.....31)
月份代码: (1月用“1”..., 9月用“9”
(10月用“A”, 11月用“B”, 12月用“C”)
年代码: (例如2020用“A”后面依次为B,C,....)

NOTES:

ELECTRICAL:

- 1. VOLTAGE RATING : 125 VAC RMS.
- 2. CURRENT RATING : 1.5 AMP.
- 3. CONTACT RESISTANCE : 35 MILLIOHMS MAX.
- 4. INSULATION RESISTANCE : 1000 MEGOHMS MIN. @ 500 VDC.
- 5. DIELECTRIC STRENGTH : 1000 VAC RMS 60Hz, 1MIN.

MECHANICAL:

- 1. HOUSING MATERIAL : HIGH TEMP. UL94V-0 BK.
- 2. CONTACT MATERIAL
- 3. PLATING : GOLD PLATING OVER NICKEL.
- 4. OPERATING LIFE : 750 CYCLES MIN.
- 5. PCB RETENTION POST-SOLDER : 10 LBS MIN.

ENVIRONMENTAL:

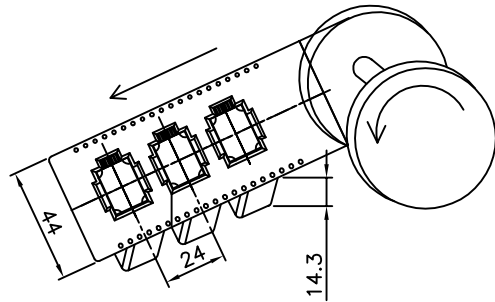
- 1. STORAGE : -40°C TO +85°C.
- 2. OPERATION : 0°C TO +70°C.

MATES WITH MODULAR PLUG CONFORMING TO FCC PART 68, SUBPART F.

PART NUMBER : N331X-004-XX

1-3u" 2-6u"
3-15u" 4-30u"
5-50u"

01-6P6C, TYPE1
02-6P4C, TYPE1
03-6P6C, TYPE2,W/DC
04-6P6C, TYPE1,W/DC



△ X3		ADD PART NO.(2)	Andy	110522
△ X3		ADD PART NO.(3)	Andy	102622
△ X0	0066000	ADD PART NO.(3)	SAIL	113007
		NEW DESIGN	LINGER	102706

MARK	ECN-NO.	REVISION RECORD	DRAWN	DATE
------	---------	-----------------	-------	------

CTK	UNLESS OTHERWISE SPECIFIED TOLERANCE	SCALE 2.5/1	CHECKED	eva
	Dimension Range Tolerance		APPROVED	peter
	X.X ±0.20	UNIT mm		
	X.XX ±0.15	SIZE A3		
X.XXX ±0.10				
ANGLE ±5°				

Contact Technology Co., Ltd. NAME SHEET 1/1

SEE NOTE SIDE ENTRY SMT JACK 6P PEG DIP

Tooling No.	PART NO.	SEE NOTE	REV.
	DOC. NO.	NN330A004	D