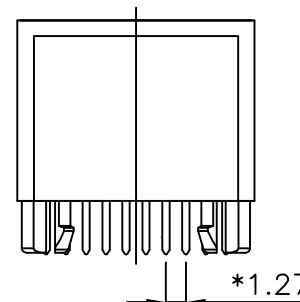
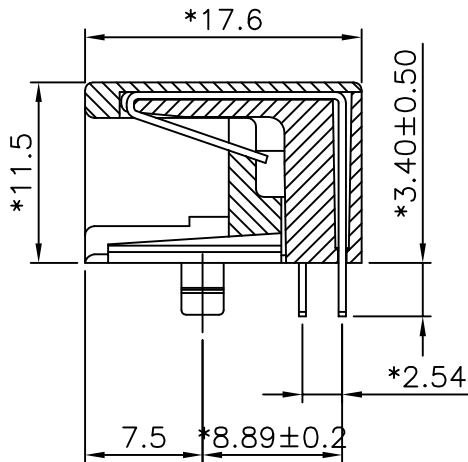
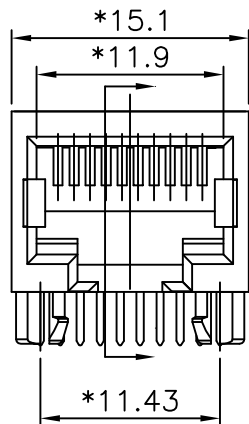


RoHS

THIS IS A RoHS COMPLIANT COMPONENT/PRODUCT.



NOTES:

ELECTRICAL:

1. VOLTAGE RATING : 125 VAC.
2. CURRENT RATING : 1.5 AMP.
3. CONTACT RESISTANCE : 40 MILLIOHMS MAX.
4. INSULATION RESISTANCE: 1000 MEGOHMS MIN. @ 500 VDC. Δ
5. DIELECTRIC STRENGTH : 1000 VAC 60Hz, 1MIN.

MECHANICAL:

1. HOUSING MATERIAL : GLASS FILLED POLYESTER OR HIGH TEMP. UL94V-0. STANDARD COLOR BK. OR 300 BLUE OR GREY.
2. CONTACT MATERIAL : PHOSPHOR BRONZE t=0.35mm.
3. PLATING : GOLD PLATING OVER NICKEL.
4. OPERATING LIFE : 750 CYCLES MIN.
5. PCB RETENTION PRE-SOLDER : 1 LB MIN.
6. PCB RETENTION POST-SOLDER: 10 LBS MIN.

ENVIRONMENTAL:

1. STORAGE : -40°C TO +85°C.
 - Δ 2. OPERATION: -40°C TO +85°C.
- MATES WITH MODULAR PLUG CONFORMING TO FCC PART 68, SUBPART F.

PART NUMBER: N361X-002-XX

- | | | |
|--------|--------|--|
| 1-3u" | 2-6u" | 01-HOUSING POLYESTER BK 8C |
| 3-15u" | 4-30u" | 02-HOUSING HIGH TEMP. BK 8C |
| 5-50u" | | Δ 03-HOUSING POLYESTER BL 8C |
| | | Δ 04-HOUSING POLYESTER GY 8C |
| | | 05-HOUSING POLYESTER BK 10C |
| | | Δ 06-HOUSING HIGH TEMP. BK 10C |
| | | Δ 07-HOUSING HIGH TEMP. FR52 BK 8C |
| | | Δ 08-HOUSING HIGH TEMP. PA9T BK 8C |
| | | Δ 09-HOUSING POLYESTER. YL(114C) 8C |
| | | Δ 10-HOUSING PBT BL.INSERT PBT BK 8C |
| | | Δ 11-HS'G PBT GREEN IN'S PBT GREEN 8C |

Δ X1		ADD NEW P/N	DORIS	082011 ⁷
Δ X1		ADD NEW P/N	QUAN	070611 ⁷
Δ X1		ADD NEW P/N	DORIS	042011 ⁷
Δ X1		ADD NEW P/N	DORIS	121610
Δ X1		ADD NEW P/N(3)	DORIS	120310
Δ X1		UPDATE OPERATION	ARES	112410
Δ X1		UPDATE OPERATION	YANG	070110
Δ X1		ADD NEW P/N(3)	SAIL	021208
Δ X1		ADD NEW P/N(3)	LINGER	031207
Δ X0	000000	NEW DESIGN	LINGER	090906
MARK	ECN-NO.	REVISION RECORD	DRAWN	DATE

	UNLESS OTHERWISE SPECIFIED TOLERANCE		SCALE	CHECKED
	Dimension Range	Tolerance	1/2	
	X.X	±0.20	UNIT	APPROVED
	X.XX	±0.15	mm	
X.XXX	±0.10	SIZE	A3	SHEET 1/1
Contact Technology Co., Ltd.		ANGLE	±5°	
Material/Plated/Notes		NAME		
SEE NOTE		RJ45 SIDE ENTRY JACK 10P 11.5 UTP		
PART NO.		SEE NOTE		REV.
DOC. NO.		NN360A002		K