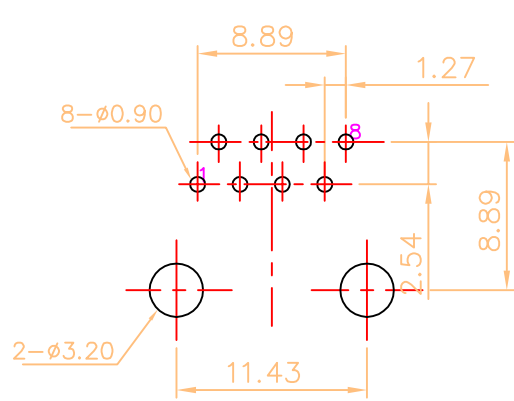
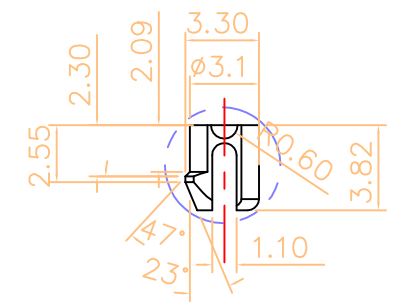
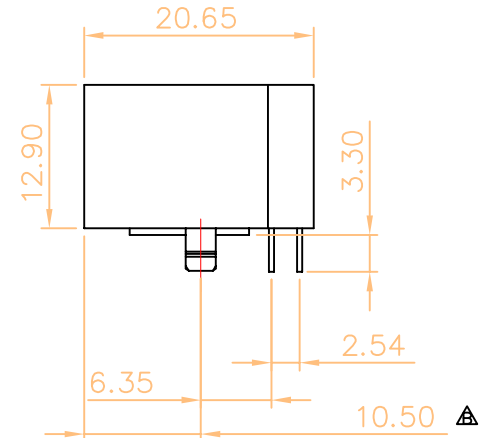
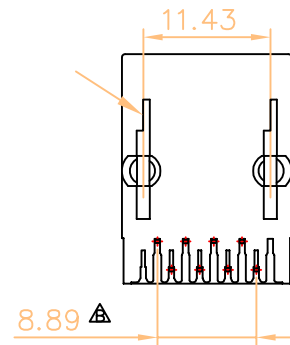
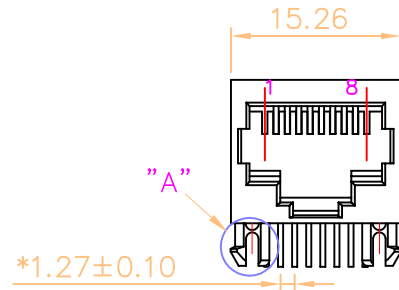


RoHS

THIS IS A RoHS COMPLIANT COMPONENT/PRODUCT.



PC Board Layout
Component Side Shown



DETAIL "A"
SCALE 2:1

NOTES:

ELECTRICAL:

1. VOLTAGE RATING : 125 VAC.
2. CURRENT RATING : 1.5 AMP.
3. CONTACT RESISTANCE : 45 MILLIOHMS MAX.
4. INSULATION RESISTANCE : 1000 MEGOHMS MIN. @ 500 VDC.
5. DIELECTRIC STRENGTH : 1000 VAC 60Hz, 1MIN.

MECHANICAL:

1. HOUSING MATERIAL : FR52 UL94V-0 OR GY.
2. CONTACT MATERIAL : PHOSPHOR BRONZE T=0.30mm
3. PLATING : GOLD PLATING OVER NICKEL.
4. OPERATING LIFE : 750 CYCLES MIN.
5. PCB RETENTION PRE-SOLDER 1 LB MIN.
6. PCB RETENTION POST-SOLDER : 10 LBS MIN.

ENVIRONMENTAL:

1. STORAGE TEMPERATURE : -40°C TO +85°C.
2. OPERATION TEMPERATURE : -40°C TO +85°C.
3. WAVE SOLDERING TEMPERATURE : 235°C~255°C (3~5 SECONDS)

MATES WITH MODULAR PLUG CONFORMING TO
FCC PART 68, SUBPART F.
PART NUMBER : N391X-100-XX

- | | | |
|--------|--------|-------------------------|
| 1-3u" | 2-6u" | 01- HIGH TEMP BK. |
| 3-15u" | 4-30u" | 02- HIGH TEMP YL(114C). |
| 5-50u" | 7-G/F | 03- HIGH TEMP GY. |
| | | 04- PBT BK. |

		NEW DESIGN	QUAN	122611'
	0000000	NEW DESIGN	QUAN	112011'
MARK	ECN-NO.	REVISION RECORD	DRAWN	DATE
	UNLESS OTHERWISE SPECIFIED TOLERANCE		SCALE	CHECKED
	Dimension Range	Tolerance	1/1	APPROVED
	X.X	±0.20	UNIT	
	X.XX	±0.15	mm	
X.XXX	±0.10	SIZE	A3	SHEET 1/1
	ANGLE	±5°		
Contact Technology Co., Ltd.		NAME		
Material/Plated/Notes		RJ45 SIDE ENTRY JACK 10P8C UTP		
SEE NOTE		PART NO.	REV.	
		DOC. NO.	B	
		NN390A100		