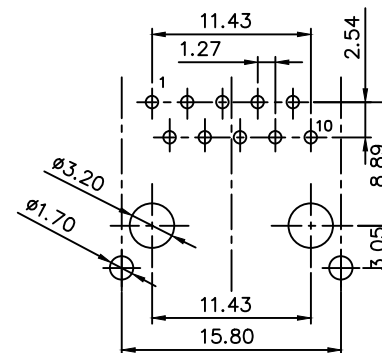
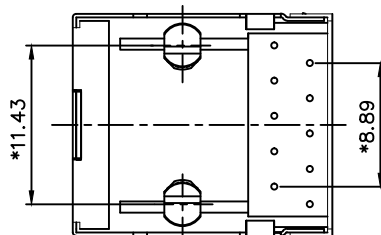
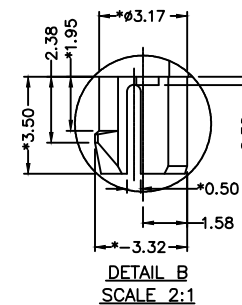
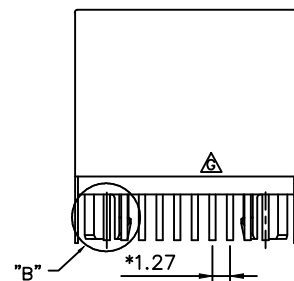
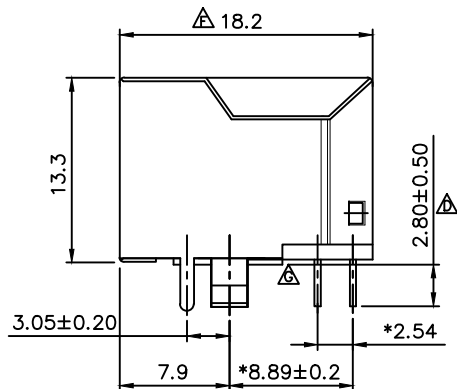
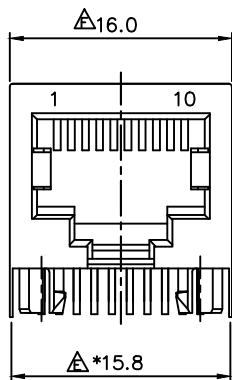


RoHS

THIS IS A RoHS COMPLIANT COMPONENT/PRODUCT.



PC Board Layout Component Side Shown

NOTES:

ELECTRICAL:

- 1. VOLTAGE RATING : 125 VAC.
- 2. CURRENT RATING : 1.5 AMP.
- 3. CONTACT RESISTANCE : 30 MILLIOHMS MAX.
- 4. INSULATION RESISTANCE: 1000 MEGOHMS MIN @ 500 VDC.
- 5. DIELECTRIC STRENGTH : 1000 VAC 60Hz, 1MIN.
- 6. PIN TO PIN 1000 VAC RMS 60Hz, 1MIN.
- 7. PIN TO SHIELD 1500 VAC RMS 60Hz, 1MIN.

MECHANICAL:

- 1. HOUSING MATERIAL : GLASS FILLED POLYESTER OR HIGH TEMP UL94V-0.
- 2. CONTACT MATERIAL : PHOSPHOR BRONZE  $\phi$ 0.46mm.
- 3. SHIELD MATERIAL : BRASS C2680 T=0.25mm.
- 4. PLATING : GOLD PLATING OVER NICKEL.
- 5. OPERATING LIFE : 750 CYCLES MIN.
- 6. PCB RETENTION PRE-SOLDER : 1 LB MIN.
- 7. PCB RETENTION POST-SOLDER: 10 LBS MIN.

ENVIRONMENTAL:

- 1. STORAGE : -40°C TO +85°C.
- 2. OPERATION: -40°C TO +85°C.

MATES WITH MODULAR PLUG CONFORMING TO TIA-1096-A.

PART NUMBER: N371X-002-0X

- 1- 3u" 2- 6u" 01-FRONT PEG 3.05 POLYESTER BK. 10P8C
- 3-15u" 4-30u" 02-FRONT PEG 3.05 HIGH TEMP BK. 10P8C
- 5-50u" 7-GOLD FLASH  $\Delta$  03-FRONT PEG 3.05 HIGH TEMP. 10P7C(2.3.4.5.6.8.9pin)
- 04-FRONT PEG 3.05 POLYESTER BK. 10P10C
- 05-FRONT PEG 3.05 HIGH TEMP YL(114C). 10P8C

|             |         |                   |        |         |
|-------------|---------|-------------------|--------|---------|
| $\Delta$ X1 |         | ADD NEW P/N.      | Joy    | 090320' |
| $\Delta$ X1 |         | ADD NEW P/N.      | DORIS  | 090115' |
| $\Delta$ X2 |         | DRAWING MODIFY    | QUAN   | 022412' |
| $\Delta$ X2 |         | DRAWING MODIFY    | YANG   | 121409  |
| $\Delta$ X2 |         | DRAWING MODIFY    | YANG   | 112009  |
| $\Delta$ X1 |         | 2.80 WAS 3.30     | YANG   | 102109  |
| $\Delta$ X1 |         | ADD NEW P/N       | YANG   | 061509  |
| $\Delta$ X1 |         | UPDATE DRAWING(1) | YANG   | 021009  |
| $\Delta$ X0 | 0000000 | NEW DESIGN        | LINGER | 061509' |
| MARK        | ECN-NO. | REVISION RECORD   | DRAWN  | DATE    |

|                                     |                                      |            |       |          |
|-------------------------------------|--------------------------------------|------------|-------|----------|
| <p>Contact Technology Co., Ltd.</p> | UNLESS OTHERWISE SPECIFIED TOLERANCE |            | SCALE | CHECKED  |
|                                     | Dimension Range                      | Tolerance  | 1/2   |          |
|                                     | X.X                                  | $\pm$ 0.20 | UNIT  | APPROVED |
|                                     | X.XX                                 | $\pm$ 0.15 | mm    |          |
| X.XXX                               | $\pm$ 0.10                           | SIZE       | A3    |          |
| ANGLE                               | $\pm$ 5°                             |            |       |          |
| Material/Plated/Notes               | NAME                                 |            |       |          |
| SEE NOTE                            | RJ45 SIDE ENTRY 10P STP              |            |       |          |
| Tooling No.                         | PART NO.                             | SEE NOTE   | REV.  |          |
|                                     | DOC. NO.                             | NN370A002  | J     |          |