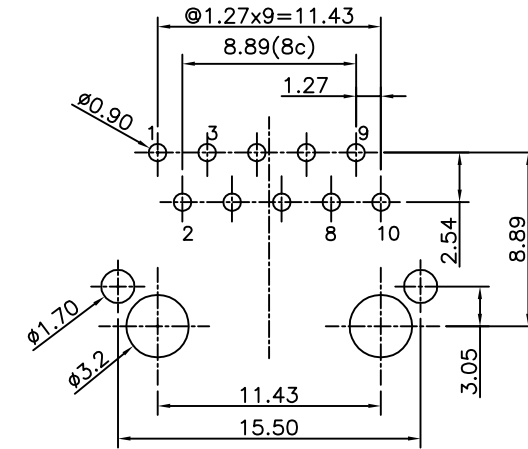
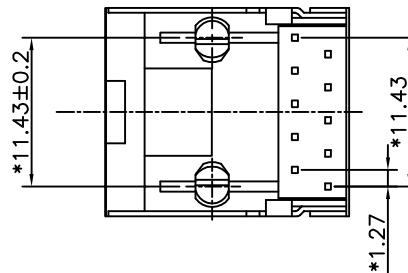
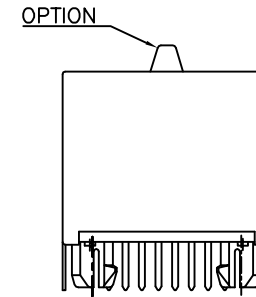
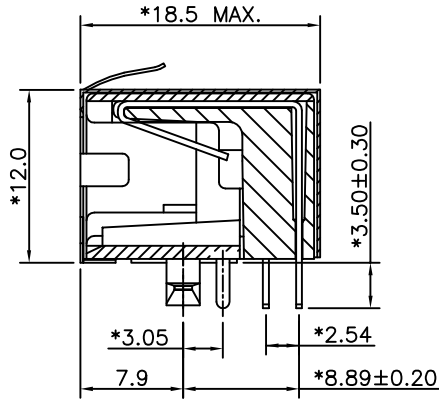
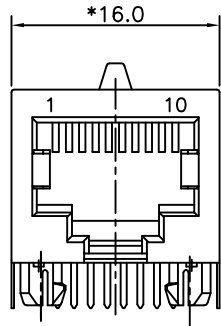


RoHS

THIS IS A RoHS COMPLIANT COMPONENT/PRODUCT.



PC Board Layout T=1.60mm
Component Side Shown

NOTES:

ELECTRICAL:

- 1. VOLTAGE RATING : 125 VAC.
- 2. CURRENT RATING : 1.5 AMP.
- 3. CONTACT RESISTANCE : 45 MILLIOHMS MAX.
- 4. INSULATION RESISTANCE: 1000 MEGOHMS MIN. @ 500 VDC.
- 5. DIELECTRIC STRENGTH : 1000 VAC 60Hz, 1MIN.

MECHANICAL:

- 1. HOUSING MATERIAL : GLASS FILLED POLYESTER OR HIGH TEMP. UL94V-0.
- 2. CONTACT MATERIAL : PHOSPHOR BRONZE T=0.35mm.
- 3. PLATING : GOLD PLATING OVER NICKEL.
- 4. OPERATING LIFE : 750 CYCLES MIN.
- 5. PCB RETENTION PRE-SOLDER : 1 LB MIN.
- 6. PCB RETENTION POST-SOLDER: 10 LBS MIN.

ENVIRONMENTAL:

- 1. STORAGE : -40°C TO +85°C.
 - 2. OPERATION: -40°C TO +85°C.
- MATES WITH MODULAR PLUG CONFORMING TO FCC PART 68, SUBPART F.

PART NUMBER: N361X-005-XX

- 1-3u" 2-6u"
- 3-15u" 4-30u"
- 5-50u"
- 01- POLYESTER 8C W/O EMI TAB
- 02- HIGH TEMP. 8C W/O EMI TAB
- 03- POLYESTER 8C W/TOP EMI TAB
- 04- HIGH TEMP. 8C W/TOP EMI TAB
- 05- POLYESTER 10P10C W/O EMI TAB
- 06- HIGH TEMP. 10P10C W/O EMI TAB
- 07- POLYESTER 10P10C W/TOP EMI TAB

△x2		MODIFY DESIGN	YANG	070808
△x2		ADD NEW P/N(3)	YANG	070808
△x1		ADD NEW P/N(3)	SAIL	111307
△x1		ADD NEW P/N(3)	LINGER	063007
△X0	0066000	NEW DESIGN	LINGER	090906
MARK	ECN-NO.	REVISION RECORD	DRAWN	DATE

CTK	UNLESS OTHERWISE SPECIFIED TOLERANCE		SCALE	CHECKED
	Dimension Range	Tolerance	2/1	
	X.X	±0.20	UNIT	APPROVED
	X.XX	±0.15	mm	
X.XXX	±0.10	SIZE	A3	
	ANGLE	±5°		
Material/Plated/Notes		NAME		
SEE NOTE		RJ45 SIDE ENTRY JACK, 10P FTP		
Tooling No.		PART NO.	SEEN OTE	REV.
		DOC. NO.	NN360A005	E